



ENGINE

Model	Yanmar 4TNV98C
Emissions Certification	Tier 4 Final
Fuel	Diesel
Cylinders	4
Displacement	203 in ³ (3 319 cc)
Fuel injection	Electronic common rail
Gross horsepower – SAE J1995 @ 2400 RPM:	66.9 hp (49.9 kW)
Cooling	Water-cooled

DRIVETRAIN

Travel speeds:	
1st	1.4 mph (2.2 kph)
2nd	2.6 mph (4.2 kph)
Maximum traction force	11,680 lb (5 300 kg)
Gradeability	35° (70%)
Ground pressure	4.8 psi (0.34 kgf/cm ²)

ELECTRICAL

Voltage	12 Volts
Alternator rating	60 amp
Battery	1 x 12 V x 100 Ah 850 CCA

OPERATOR ENVIRONMENT

Enclosed cab w/heat and air conditioning; Pilot operated hand controls and foot pedals; Adjustable seat w/seat belt and seat heater; Arm rests; 12V socket; 5.7 in color LCD display; cup holder; Cell phone holder; Bluetooth radio with USB input, 2 speakers and remote control.

Display includes:

Hydraulic oil temp warning lamp; Air cleaner warning lamp; Engine stop warning lamp; Check engine warning lamp; Water in fuel warning lamp; Battery charging warning lamp; Emergency warning lamp; Engine coolant temp warning lamp; Engine oil pressure warning lamp; DPF regeneration inhibit warning lamp; DPF regeneration acknowledge warning lamp; DPF warning lamp; High Exhaust Temperature warning lamp; Low fuel level warning lamp; Engine coolant temperature gauge; Hydraulic oil temperature gauge; Fuel gauge; Engine RPM and Hour meter.

OPERATING WEIGHT

Cab operating weight:	
Short arm	12,050 lb (5 465 kg)
Long arm w/additional counterweight	12,320 lb (5 590 kg)

NOTE: w/rubber tracks/no quick coupler/bucket/fluids/full of fuel/165 lb operator.

HYDRAULICS

Main pumps:	Variable displacement tandem axial piston pump
Max rated flow x 2:	15.3 gpm (57.8 L/min)

Auxiliary flow:

Hammer Circuit 1-way:	
Flow	17.2 gpm (65 L/min)
Pressure	3,191 psi (220 bar)
1st Auxiliary 2-way Circuit:	
Flow	17.2 gpm (65 L/min)
Pressure	3,191 psi (220 bar)
2nd Auxiliary 2-way Circuit:	
Flow	8.7 gpm (33 L/min)
Pressure	2,321 psi (160 bar)

System relief pressure:

Standard	3,130 psi (220 bar)
Overload relief valve	3,410 psi (240 bar)

Pilot control hydraulic system:

Pump	Gear pump
Maximum capacity	2.5 gpm (9.5 L/min)

Control valves:

Pilot control for left/right track travel, boom, arm, bucket and swing
Manual control for breaker and backfill blade

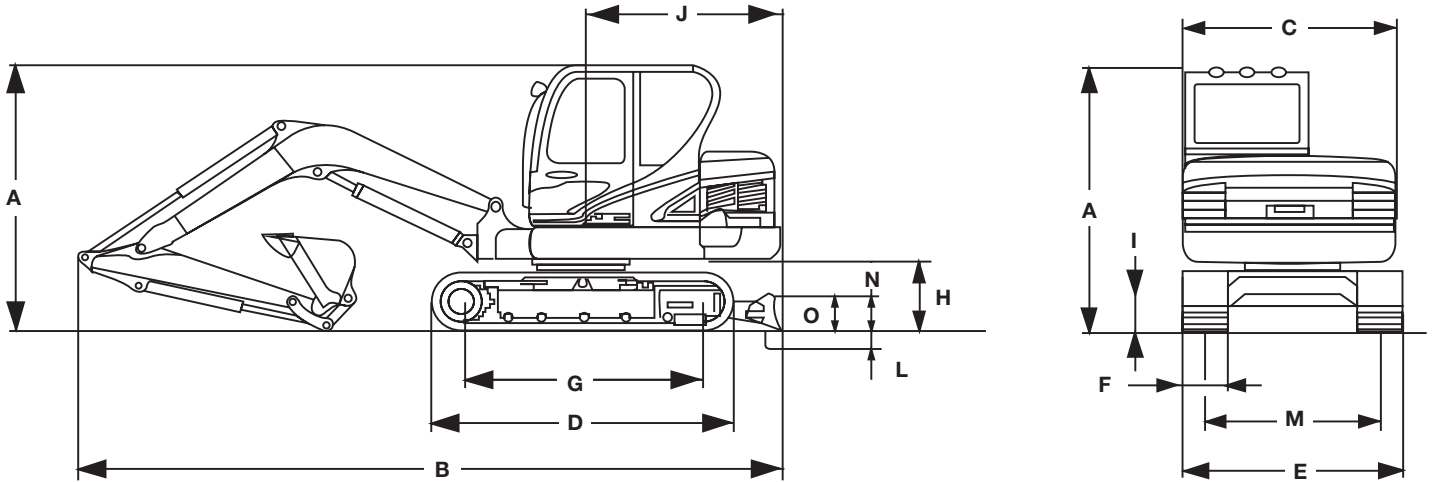
Swing Motor:	Fixed displacement axial piston motor Automatic spring applied hydraulic released brake
Travel Motor:	Variable displacement axial piston 2-stage planetary Automatic spring applied hydraulic released brake

SERVICE CAPACITIES

Fuel tank	31.7 gal (120 L)
Hydraulic tank:	
Refill capacity	18.5 gal (70 L)
Total system	31.7 gal (120 L)
Engine oil w/filter change	3.1 gal (11.6 L)
Radiator	2.5 gal (9.5 L)

OTHER SPECIFICATIONS

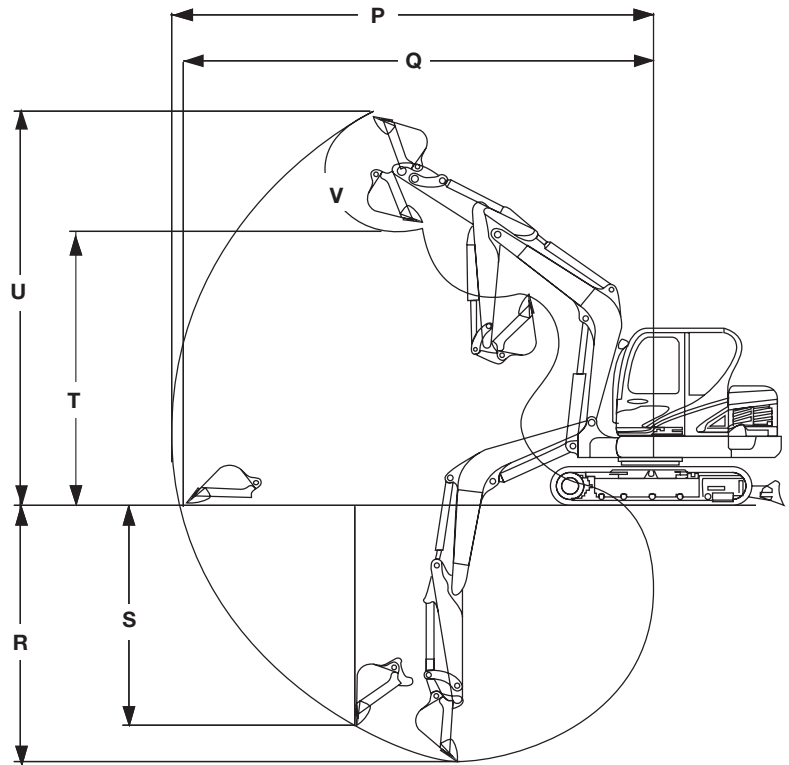
Swing speed	0 – 9.1 RPM
Undercarriage:	
Track rollers	1 upper/5 lower each
Boom:	
Swing	80° left/50° right
Length	9 ft 10 in (3.0 m)
Arm:	
Standard length	5 ft 3 in (1.6 m)
Long arm length	6 ft 3 in (1.9 m)



Line drawings are for illustrative purpose only and may not be exact representation of unit.

DIMENSIONS

	5 ft 3 in (1.6 m) Arm
A. Overall height	8 ft 4 in (2 550 mm)
B. Overall transport length	19 ft 4 in (5 900 mm)
C. Width of upper structure	6 ft 1 in (1 850 mm)
D. Track overall length	8 ft 4 in (2 530 mm)
E. Track overall width	6 ft 4 in (1 920 mm)
F. Track shoe width	15 in (380 mm)
G. Center to center - idler to sprocket	6 ft 6 in (1 990 mm)
H. Upper structure ground clearance	2 ft 3 in (690 mm)
I. Minimum ground clearance	1 ft 3 in (380 mm)
J. Tail swing radius:	
Standard counterweight	5 ft 5 in (1 650 mm)
Additional counterweight	5 ft 5 in (1 650 mm)
Boom swing	80° left/50° right
Tail swing overhang:	
Standard counterweight	2 ft 3 in (690 mm)
Additional counterweight	2 ft 3 in (690 mm)



BLADE SPECS

L. Backfill blade height	1 ft 2 in (350 mm)
M. Backfill blade width	6 ft 4 in (1 920 mm)
N. Backfill blade rise above ground	1 ft 3 in (390 mm)
O. Backfill blade dig depth	1 ft 11 in (590 mm)

PERFORMANCE SPECS

	5 ft 3 in (1.6 m) Arm	6 ft 3 in (1.9 m) Arm
P. Maximum dig radius	20 ft 2 in (6 150 mm)	21 ft 0 in (6 400 mm)
Q. Dig radius at groundline	19 ft 9 in (6 010 mm)	20 ft 7 in (6 270 mm)
R. Maximum dig depth	12 ft 6 in (3 820 mm)	13 ft 4 in (4 060 mm)
S. Vertical straight wall dig depth	10 ft 6 in (3 200 mm)	11 ft 4 in (3 460 mm)
T. Dump height	13 ft 3 in (4 050 mm)	13 ft 9 in (4 180 mm)
U. Overall reach height	19 ft 0 in (5 780 mm)	19 ft 5 in (5 920 mm)
V. Bucket rotation	180°	180°
Arm digging force - ISO	7,190 lbf (3 260 kgf/31.9 kN)	6,460 lbf (2 930 kgf/28.7 kN)
Bucket digging force - ISO	9,550 lbf (4 330 kgf/42.4 kN)	9,550 lbf (4 330 kgf/42.4 kN)

9 ft 10 in (3.0 m) Boom, 5 ft 3 in (1.6 m) Arm, Dozer Blade Down Unit equipped with 0.18 m³ (SAE heaped) bucket, 15 in (380 mm) rubber track and 518 lb (235 kg) counterweight.

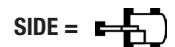
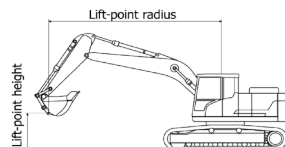
Load / Lift Point Height	LOAD RADIUS								MAXIMUM REACH			
	7 ft (2.0 m)		10 ft (3.0 m)		13 ft (4.0 m)		16 ft (5.0 m)		REACH	CAPACITY		
	END	SIDE	END	SIDE	END	SIDE	END	SIDE		@	END	SIDE
+13 ft (4.0 m)					2,170 lb* (990 kg)*	2,150 lb (980 kg)				14 ft 4 in (4.37 m)	2,220 lb* (1 000 kg)*	1,810 lb (820 kg)
+10 ft (3.0 m)					2,340 lb* (1 060 kg)*	2,100 lb (950 kg)				16 ft 3 in (4.96 m)	2,150 lb* (970 kg)*	1,400 lb (630 kg)
+7 ft (2.0 m)	6,610 lb* (3 000 kg)*	6,440 lb (2 920 kg)	3,660 lb* (1 660 kg)*	3,220 lb (1 460 kg)	2,850 lb* (1 290 kg)*	1,990 lb (900 kg)	2,530 lb* (1 150 kg)*	1,330 lb (600 kg)		17 ft 3 in (5.26 m)	2,240 lb* (1 010 kg)*	1,210 lb (550 kg)
+3 ft (1.0 m)			5,150 lb* (2 340 kg)*	2,910 lb (1 320 kg)	3,470 lb* (1 580 kg)*	1,850 lb (840 kg)	2,780 lb* (1 260 kg)*	1,270 lb (580 kg)		17 ft 6 in (5.33 m)	2,480 lb* (1 120 kg)*	1,130 lb (510 kg)
Groundline	4,160 lb* (1 890 kg)*	4,160 lb* (1 890 kg)*	5,920 lb* (2 680 kg)*	2,730 lb (1 240 kg)	3,910 lb* (1 770 kg)*	1,750 lb (800 kg)	2,940 lb* (1 330 kg)*	1,230 lb (560 kg)		17 ft 0 in (5.17 m)	2,820 lb* (1 280 kg)*	1,160 lb (530 kg)
-3 ft (-1.0 m)	6,870 lb* (3 120 kg)*	5,430 lb (2 460 kg)	5,890 lb* (2 670 kg)*	2,690 lb (1 220 kg)	3,950 lb* (1 790 kg)*	1,710 lb (780 kg)				15 ft 8 in (4.77 m)	3,040 lb* (1 380 kg)*	1,310 lb (590 kg)
-7 ft (-2.0 m)	8,420 lb* (3 820 kg)*	5,550 lb (2 520 kg)	5,100 lb* (2 310 kg)*	2,730 lb (1 240 kg)	3,330 lb* (1 510 kg)*	1,750 lb (790 kg)				13 ft 2 in (4.01 m)	3,310 lb* (1 500 kg)*	1,740 lb (790 kg)
-10 ft (-3.0 m)	4,700 lb* (2 130 kg)*	4,700 lb* (2 130 kg)*								8 ft 3 in (2.52 m)	3,570 lb* (1 620 kg)*	3,570 lb* (1 620 kg)*

NOTE: Lifting capacity are based on ISO 10567.
 Lifting capacity does not exceed 75% of tipping load with the machine on firm, level ground or 87% of full hydraulic capacity.
 The lift point is a hook located on the back of the bucket.
 *Indicates load limited by hydraulic capacity.

9 ft 10 in (3.0 m) Boom, 6 ft 3 in (1.9 m) Arm, Dozer Blade Down Unit equipped with 0.18 m³ (SAE heaped) bucket, 15 in (380 mm) rubber track and 739 lb (335 kg) counterweight.

Load / Lift Point Height	LOAD RADIUS								MAXIMUM REACH			
	3 ft (1.0 m)		7 ft (2.0 m)		10 ft (3.0 m)		13 ft (4.0 m)		REACH	CAPACITY		
	END	SIDE	END	SIDE	END	SIDE	END	SIDE		@	END	SIDE
+13 ft (4.0 m)										15 ft 6 in (4.72 m)	1,860 lb* (850 kg)*	1,690 lb (770 kg)
+10 ft (3.0 m)					2,070 lb* (940 kg)*	2,070 lb* (940 kg)*	2,150 lb* (980 kg)*	1,500 lb (680 kg)		17 ft 3 in (5.27 m)	1,800 lb* (820 kg)*	1,350 lb (610 kg)
+7 ft (2.0 m)			3,170 lb* (1 440 kg)*	3,170 lb* (1 440 kg)*	2,610 lb* (1 180 kg)*	2,150 lb (970 kg)	2,360 lb* (1 070 kg)*	1,450 lb (660 kg)		18 ft 3 in (5.55 m)	1,860 lb* (840 kg)*	1,180 lb (540 kg)
+3 ft (1.0 m)			4,770 lb* (2 170 kg)*	3,150 lb (1 430 kg)	3,280 lb* (1 490 kg)*	2,000 lb (910 kg)	2,660 lb* (1 200 kg)*	1,380 lb (630 kg)		18 ft 5 in (5.61 m)	2,030 lb* (920 kg)*	1,120 lb (510 kg)
Groundline	4,070 lb* (1 840 kg)*	4,070 lb* (1 840 kg)*	5,770 lb* (2 620 kg)*	2,930 lb (1 330 kg)	3,800 lb* (1 730 kg)*	1,890 lb (860 kg)	2,890 lb* (1 310 kg)*	1,320 lb (600 kg)		17 ft 11 in (5.46 m)	2,360 lb* (1 070 kg)*	1,140 lb (520 kg)
-3 ft (-1.0 m)	6,160 lb* (2 790 kg)*	5,720 lb (2 600 kg)	5,960 lb* (2 700 kg)*	2,860 lb (1 300 kg)	3,980 lb* (1 800 kg)*	1,830 lb (830 kg)	2,880 lb* (1 310 kg)*	1,300 lb (590 kg)		16 ft 8 in (5.08 m)	2,800 lb* (1 270 kg)*	1,260 lb (570 kg)
-7 ft (-2.0 m)	9,210 lb* (4 180 kg)*	5,820 lb (2 640 kg)	5,400 lb* (2 450 kg)*	2,880 lb (1 300 kg)	3,160 lb* (1 440 kg)*	1,840 lb (830 kg)				14 ft 5 in (4.40 m)	3,050 lb* (1 380 kg)*	1,600 lb (730 kg)
-10 ft (-3.0 m)	6,150 lb* (2 790 kg)*	6,040 lb (2 740 kg)	3,660 lb* (1 660 kg)*	3,010 lb (1 360 kg)						10 ft 4 in (3.16 m)	3,350 lb* (1 520 kg)*	2,770 lb (1 260 kg)

NOTE: Lifting capacity are based on ISO 10567.
 Lifting capacity does not exceed 75% of tipping load with the machine on firm, level ground or 87% of full hydraulic capacity.
 The lift point is a hook located on the back of the bucket.
 *Indicates load limited by hydraulic capacity.



STANDARD EQUIPMENT

ENGINE

Yanmar 4TNV98C
Engine access under rear hood
Glow plug starting aid
Dry type air cleaner with restriction indicator

ELECTRICAL

12-volt electrical starting system
Heavy-duty battery
Battery Master Switch
Key Start
Anti-Theft-Engine starting passwords
Front and rear working lights
12 V power outlet
Auto-idle deature with on/off switch
Horn

HYDRAULICS

Auxiliary hydraulics – independent single and bi-directional – and plumbing to arm
Large hydraulic oil cooler
Control pattern selector valve
Cylinder rod protection covers – Boom

TRACK DRIVE

Rubber tracks
Automatic 2-speed travel
Fully hydrostatic drive system
Sealed and lubricated track rollers
Track tension adjustment – grease type

UPPER STRUCTURE

Conventional radius tail swing
Standard arm: 5 ft 3 in (1.6 m)
Bucket linkage with lifting hook
Thumb bracket

OPERATOR ENVIRONMENT

See page 1

OTHER

Swing boom – 80° left/50° right
Hydraulic backfill blade

OPTIONAL EQUIPMENT

OPERATOR ENVIRONMENT

Rearview camera
Travel alarm

TRACK OPTIONS

Tracks:
Steel Tracks 1 ft 3 in (380 mm)
Steel Tracks 1 ft 6 in (450 mm)
Steel Tracks with Rubber Pads
1 ft 4 in (400 mm)
Rubber Link Tracks 1 ft 4 in (400 mm)
Rubber Tracks 1 ft 4 in (400 mm)
Track guides:
Full
3-piece

OTHER

Heavy counterweight: 220 lb (100 kg)
Optional long arm: 6 ft 3 in (1.9 m)
Hydraulic quick coupler provision
Klacc coupler
Mechanical coupler
Hydraulic hammer
Beacon
2nd auxiliary circuit
Hydraulic coupler

CaseCE.com

©2017 CNH Industrial America LLC. All rights reserved. CASE is a trademark registered in the United States and many other countries, owned by or licensed to CNH Industrial N.V., its subsidiaries or affiliates. CNH Industrial Capital is a trademark in the United States and many other countries, owned by or licensed to CNH Industrial N.V., its subsidiaries or affiliates. Printed in U.S.A. Contains 10% post-consumer fiber.

IMPORTANT: CASE Construction Equipment Inc. reserves the right to change these specifications without notice and without incurring any obligation relating to such change. Availability of some models and equipment builds vary according to the country in which the equipment is used. The illustrations and text may include optional equipment and accessories and may not include all standard equipment. Your CASE dealer/distributor will be able to give you details of the products and their specifications available in your area.



CASE Construction Equipment is biodiesel-friendly. NOTE: All engines meet current EPA emissions regulations. All specifications are stated in accordance with SAE Standards or Recommended Practices, where applicable.



Always read the Operator's Manual before operating any equipment. Inspect equipment before using it, and be sure it is operating properly. Follow the product safety signs and use any safety features provided.

Form No. CCE201704CX57C
Replaces Form No. CCE201702CX57C

CX57C

4 of 4