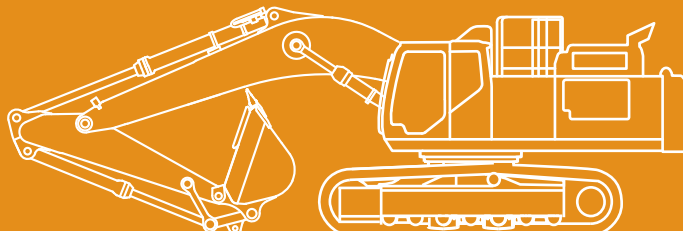


D-SERIES CRAWLER EXCAVATORS SPEC SHEET



ENGINE

Model _____ ISUZU AQ-6UZ1X
 Type _____ Water-cooled, 4-cycle diesel, 6-cylinder in line,
 High pressure common rail system (electric control).
 Turbocharger with air cooled intercooler, SCR system.
 Emissions _____ Tier 4 Final / Eu stage IV
 Number of cylinders/Displacement (l) _____ 6 / 9.84
 Bore and stroke (mm) _____ 120 x 145
Rated flywheel horse power
 ISO 14396 _____ 270 kW / 362 hp at 2000 min⁻¹
 with fan-pump _____ 245 kW / 328.6 hp at 2000 min⁻¹
Maximum torque
 ISO 14396 _____ 1363 N-m at 1500 min⁻¹

HYDRAULIC SYSTEM

Main pumps _____ 2 variable displacement axial piston pumps
 with regulating system
 Max. oil flow (l/min) _____ 2 x 364 at 2000 min⁻¹
Working circuit pressure
 Boom/Arm/Bucket (MPa) _____ 31.4
 _____ 34.3 with auto power up
 Swing circuit (MPa) _____ 29.4
 Travel circuit (MPa) _____ 34.3
Pilot pump _____ 1 gear pump
 Max. oil flow (l/min) _____ 30
 Working circuit pressure (MPa) _____ 3.9
Boom Cylinders
 Bore (mm) _____ 170
 Stroke (mm) _____ 1550
Arm Cylinders
 Bore (mm) _____ 190
 Stroke (mm) _____ 1920
Bucket Cylinders
 Bore (mm) _____ 165
 Stroke (mm) _____ 1285

SWING

Swing Motor _____ Fixed displacement axial piston motor
 Maximum swing speed (min⁻¹) _____ 9.1
 Swing torque (Nm) _____ 150,000

FILTERS

Suction filter (µm) _____ 105
 Return filter (µm) _____ 6
 Pilot line filter (µm) _____ 8

ELECTRICAL SYSTEM

Voltage (V) _____ 24
 Alternator (Amp) _____ 50
 Starter (V/kW) _____ 24/5.5
 Battery _____ 2 X 12 V - 128 Ah/5HR

UNDERCARRIAGE

Travel motor _____ variable displacement axial piston motor
 Travel speeds
 High (km/h - automatic travel speed shifting) _____ 5.3
 Low (km/h) _____ 3.2
 Drawbar pull (kN) _____ 339
 (Fixed sideframe undercarriage)

Number of carrier rollers

Fixed sideframe undercarriage _____ 2 (each side)
 Retractable sideframe undercarriage _____ 3 (each side)
 Number of track rollers (each side) _____ 9
 Number of shoes (each side) _____ 9

CIRCUIT AND COMPONENT CAPACITIES

Fuel tank (l) _____ 650
 Hydraulic system (l) _____ 460
 Hydraulic tank (l) _____ 230
 Adblue tank (l) _____ 152

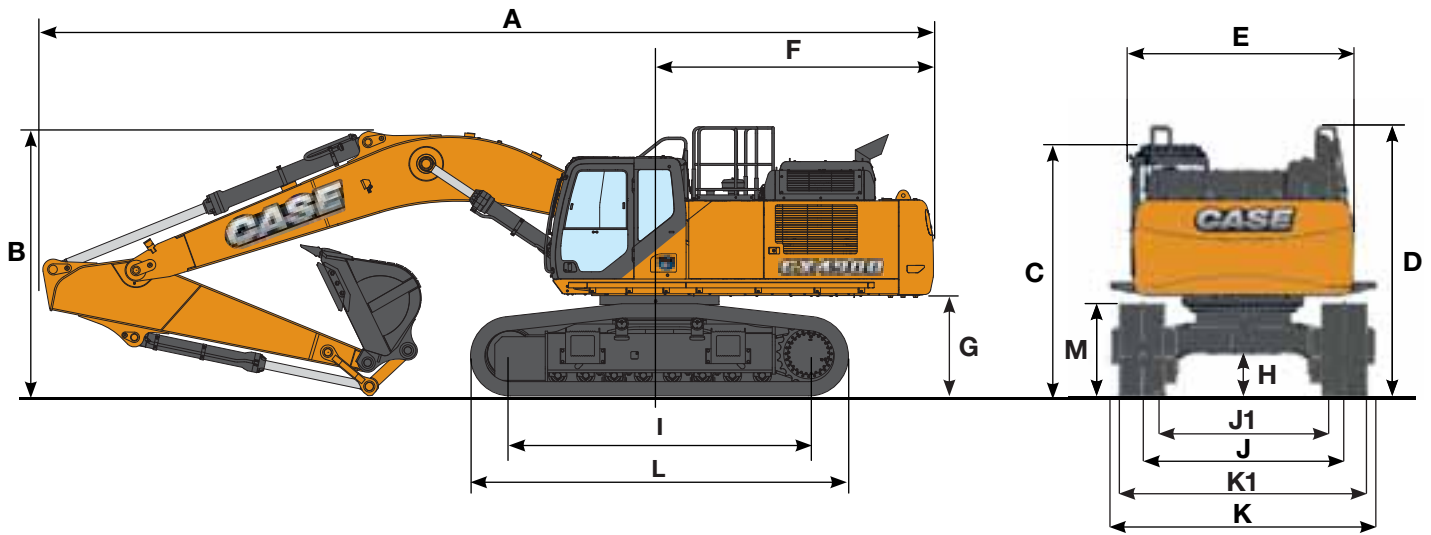
WEIGHT AND GROUND PRESSURE

(with 3.38 m Arm, 2.0 m³ HD bucket, 600 mm grouser shoe)

CX490D

LC/RTC	46900/48300 kg
Ground Pressure	0.085 MPa / 0.087 MPa
Counterweight	10000 kg

SPECIFICATIONS



GENERAL DIMENSIONS

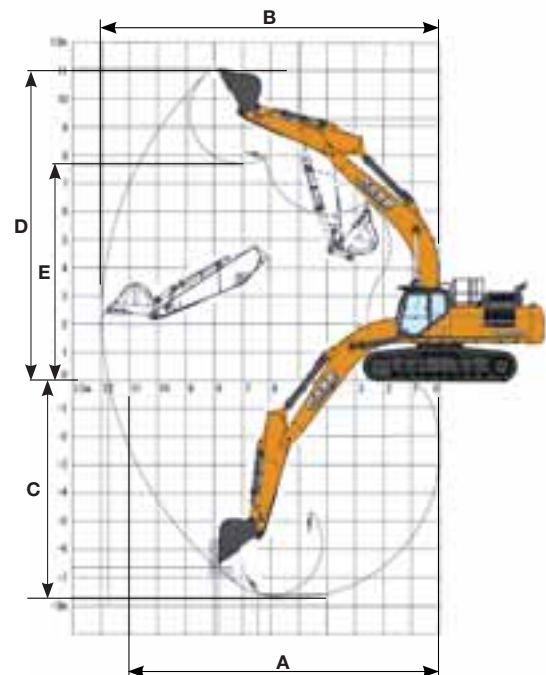
		FIXED SIDEFRA UNDERCARRIAGE		RETRACTABLE SIDEFRA UNDERCARRIAGE	
		Arm 3.38 m	Arm 2.53 m	Arm 3.38 m	Arm 2.53 m
Overall length (without attachment)	mm	6450	6450	6450	6450
A Overall length (with attachment)	mm	12090	12110	12060	12090
B Overall height (with attachment)	mm	3650	3670	3680	3720
C Cab height	mm	3400	3400	3550	3550
D Overall height (to top of guardrail)	mm	3650	3650	3800	3800
Upper structure overall width (without catwalks)	mm	3060	3060	3060	3060
E Upper structure overall width (with catwalks)	mm	3590	3590	3590	3590
F Swing (rear end) radius	mm	3730	3730	3730	3730
G Clearance height under upper structure	mm	1330	1330	1480	1480
H Minimum ground clearance	mm	535	535	720	720
I Wheel base (center to center of wheels)	mm	4400	4400	4400	4400
L Crawler overall length	mm	5450	5450	5450	5450
M Crawler tracks height	mm	1240	1240	1220	1220
J Track gauge (extended)	mm	2750	2750	2890	2890
J1 Track gauge (retracted)	mm	-	-	2390	2390
K Undercarriage overall width (extended with 600 mm shoes)	mm	3350	3350	3490	3490
K1 Undercarriage overall width (retracted with 600 mm shoes)	mm	-	-	2990	2990

PERFORMANCE DATA

		FIXED SIDEFRA UNDERCARRIAGE		RETRACTABLE SIDEFRA UNDERCARRIAGE	
		Arm 3.38 m	Arm 2.53 m	Arm 3.38 m	Arm 2.53 m
Boom length	mm	6980	6980	6980	6980
Bucket radius	mm	1840	1840	1840	1840
Bucket wrist action	°	176	176	176	176
A Maximum reach at GRP	mm	11750	10980	11720	10980
B Maximum reach	mm	11970	11220	11970	11220
C Max. digging depth	mm	7720	6870	7570	6720
D Max. digging height	mm	11100	10850	11250	11000
E Max. dumping height	mm	7690	7410	7840	7560

DIGGING FORCE (ISO 6015)

		Arm 3.38 m	Arm 2.53 m
Arm digging force	kN	201	246
with Auto power up	kN	220	269
Bucket digging force	kN	247	247
with Auto power up	kN	270	270



www.casece.com
EXPERTS FOR THE REAL WORLD
SINCE 1842

CASE
CONSTRUCTION



Form No. 20123GB - Printed in Italy - MediaCross Firenze - 11/15

Hanlon Case
Highlands
Campton
Bedford
SG17 5NZ

01462 813301
info@hanlon-case.co.uk
www.hanlon-case.co.uk

NOTE: Standard and optional fittings can vary according to the demands and specific regulations of each country. The illustrations may include optional rather than standard fittings - consult your Case dealer. Furthermore, CNH Industrial reserves the right to modify machine specifications without incurring any obligation relating to such changes.

Conforms to directive 2006/42/EC

CASE Customer Assistance
00800-2273-7373

The call is free from a land line.
Check in advance with your Mobile Operator if you will be charged. Toll free number not available from all calling areas.

