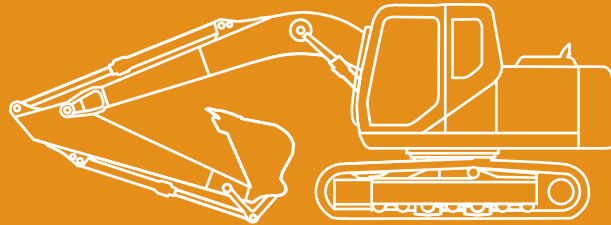


D-SERIES CRAWLER EXCAVATORS SPEC SHEET



ENGINE

Model	ISUZU AR-4JJ1X
Type	Water-cooled, 4-cycle diesel, 4-cylinder in line, High pressure common rail system (electric control), turbocharger with air cooled intercooler, SCR system
Emissions	Tier 4 Final / Eu stage IV
Number of cylinders/Displacement (l)	4 / 2.99
Bore and stroke (mm)	95.4 X 104.9
Rated flywheel horse power	
ISO 9249	83.2 kW / 111.6 hp at 2200 min ⁻¹
ISO 14396	86.0 kW / 115.3 hp at 2200 min ⁻¹
Maximum torque	
ISO 9249	349 Nm at 1800 min ⁻¹
ISO 14396	356 Nm at 1800 min ⁻¹

HYDRAULIC SYSTEM

Main pumps	2 variable displacement axial piston pumps with regulating system
Max. oil flow (l/min)	2 × 142 at 2200 min ⁻¹
Working circuit pressure	
Boom/Arm/Bucket (MPa)	34.3 36.3 with auto power up
Swing circuit (MPa)	27.9
Travel circuit (MPa)	34.3
Pilot pump	1 gear pump
Max. oil flow (l/min)	22
Working circuit pressure (MPa)	3.9
Boom Cylinders	
Bore (mm)	115
Stroke (mm)	1179
Arm Cylinders	
Bore (mm)	125
Stroke (mm)	1280
Bucket Cylinders	
Bore (mm)	105
Stroke (mm)	985

SWING

Swing Motor	Fixed displacement axial piston motor
Maximum swing speed (min ⁻¹)	11.5
Swing torque (Nm)	45100

FILTERS

Suction filter (µm)	105
Return filter (µm)	6
Pilot line filter (µm)	8

ELECTRICAL SYSTEM

Voltage (V)	24
Alternator (Amp)	50
Starter (V/kW)	24/4.0
Battery	2 X 12 V - 72 Ah/5HR

UNDERCARRIAGE

Travel motor	Variable displacement axial piston motor
Travel speeds	
High (km/h - automatic travel speed shifting)	4.0
Low (km/h)	2.3
Drawbar pull (kN)	190
Number of carrier rollers (each side)	2
Number of track rollers (each side)	7
Number of shoes (each side)	46

CIRCUIT AND COMPONENT CAPACITIES

Fuel tank (l)	300
Hydraulic system (l)	167
Hydraulic tank (l)	82
Adblue tank (l)	85

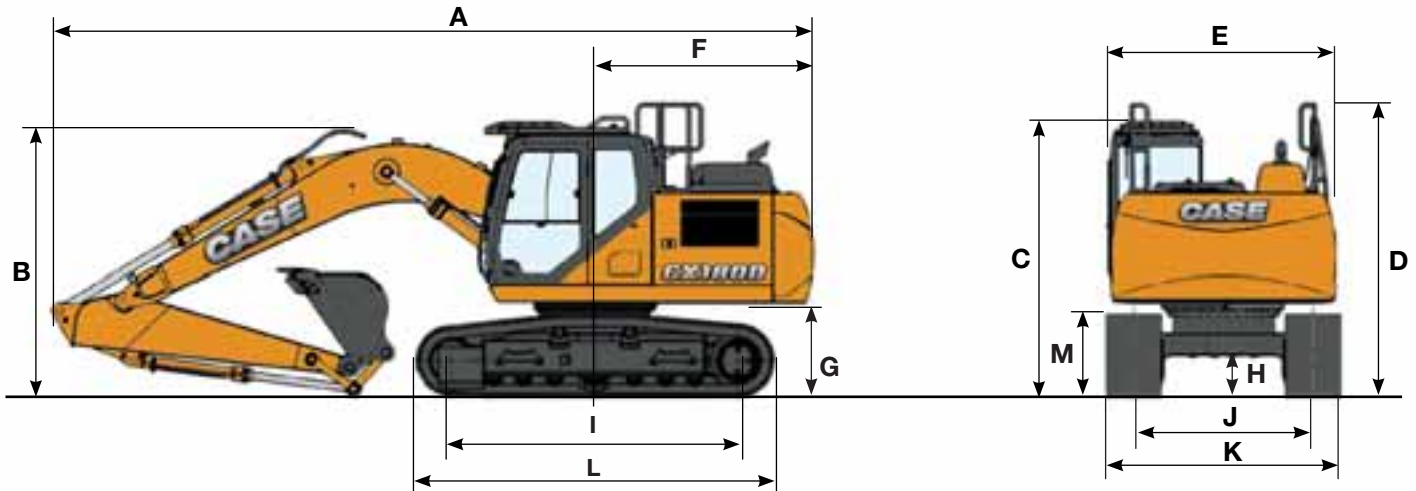
WEIGHT AND GROUND PRESSURE

(with 2.62 m Arm , 0.62 m³ bucket , 600 mm grouser shoe, operator, lubricant, coolant, full fuel tank and top guard OPG level 2)

CX180D

Weight	17400 kg
Ground Pressure	0.041 MPa
Counterweight	2920 kg

SPECIFICATIONS



GENERAL DIMENSIONS

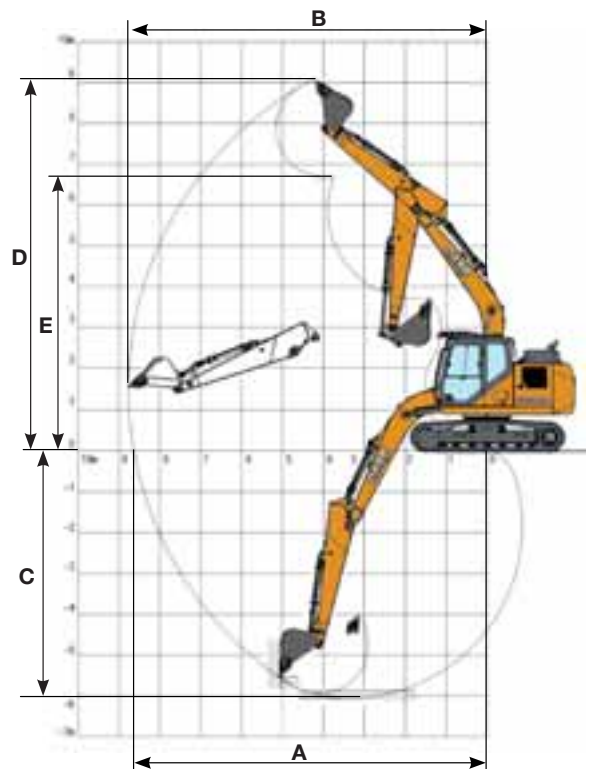
		Arm 2.62 m	Arm 3.05 m	Arm 2.23 m
Overall length (without attachment)	mm	4520	4520	4520
A Overall length (with attachment)	mm	8460	8510	8490
B Overall height (to top of boom)	mm	2960	3120	3000
C Cab height	mm	3070	3070	3070
D Overall height (to top of handrail)	mm	3280	3280	3280
E Upper structure overall width	mm	2530	2530	2530
F Swing (rear end) radius	mm	2470	2470	2470
G Clearance height under upper structure	mm	1040	1040	1040
H Minimum ground clearance	mm	440	440	440
I Wheel base (Center to center of wheels)	mm	3370	3370	3370
L Crawler overall length	mm	4180	4180	4180
M Crawler tracks height	mm	925	925	925
J Track gauge	mm	2200	2200	2200
K Undercarriage overall width (with 600 mm shoes)	mm	2800	2800	2800

PERFORMANCE DATA

		Arm 2.62 m	Arm 3.05 m	Arm 2.23 m
Boom length	mm	5150	5150	5150
Bucket radius	mm	1350	1350	1350
Bucket wrist action	°	178	178	178
A Maximum reach at GRP	mm	8870	9210	8490
B Maximum reach	mm	9040	9380	8670
C Max. digging depth	mm	6040	6470	5650
D Max. digging height	mm	9250	9300	9030
E Max. dumping height	mm	6630	6710	6400

DIGGING FORCE (ISO 6015)

		Arm 2.62 m	Arm 3.05 m	Arm 2.33 m
Arm digging force	kN	79	72	90
with Auto power boost	kN	84	77	95
Bucket digging force	kN	112	112	112
with Auto power boost	kN	118	118	118



LIFTING CAPACITY

CX180D

Front Side	REACH													
	1.5 m		3.0 m		4.5 m		6.0 m		7.5 m		9.0 m		At max reach	

LC UNDERCARRIAGE - 2.62 m length, 600 mm shoes, bucket of 0.68 m³ HD (520 kg). Maximum reach 9.04 m

7.5 m								2590*	2590*					1570*	1570*	6.53
6.0 m								3210*	3210*	2020*	2020*			1430*	1430*	7.69
4.5 m								4210*	3710	3180*	2510			1390*	1390*	8.36
3.0 m			8530*	8530*	6150*	5590	4910*	3520	3740	2420				1420*	1420*	8.68
1.5 m			8790*	8790*	7790*	5190	5210	3330	3630	2320				1520*	1520*	8.70
0 m			7490*	7490*	8060	4900	5040	3180	3550	2250				1690*	1690*	8.44
-1.5 m	6040*	6040*	9630*	9110	7940	4810	4970	3120	3530	2230				2010*	2010*	7.87
-3.0 m	8600*	8600*	12810*	9480*	7990	4870	5020	3170						2660*	2540	6.95
-4.5 m	12530*	12530*	10420*	9670*	7010*	5090								4620*	3690	5.50

LC UNDERCARRIAGE - 2.23 m length, 600 mm shoes, bucket of 0.68 m³ HD (520 kg). Maximum reach 8.67 m

7.5 m								2100*	2100*					2100*	2100*	6
6.0 m								3750*	3750*					1910*	1910*	7.26
4.5 m					4980*	4980*	4570*	3680	3380*	2500				1860*	1860*	7.97
3.0 m			9450*	9450*	6650*	5530	5210*	3500	3730	2420				1900*	1900*	8.31
1.5 m			6380*	6380*	8180*	5150	5200	3330	3640	2340				2020*	1960	8.33
0 m			7150*	7150*	8060	4910	5050	3200	3570	2270				2250*	2040	8.06
-1.5 m	6760*	6760*	10140*	9210*	7990	4860	5010	3160						2670*	2290	7.46
-3.0 m	9520*	9520*	12320*	9610*	8050	4940	5100	3260						3600*	2870	6.48
-4.5 m			9420*	9420*	6220*	5150								5210*	4450	4.92

LC UNDERCARRIAGE - 3.05 m length, 600 mm shoes, bucket of 0.62 m³ HD (480 kg). Maximum reach 9.38 m

7.5 m								2180*	2180*					1460*	1460*	7
6.0 m								3010*	3010*	2340*	2340*			1350*	1350*	8.08
4.5 m								3840*	3700	3010*	2550			1330*	1330*	8.71
3.0 m			7520*	7520*	5610*	5610*	4600*	3580	3740*	2450	1440*	1440*		1370*	1370*	9.02
1.5 m			11000*	10050	7330*	5270	5250	3370	3650	2340	1630*	1630*		1470*	1470*	9.04
0 m	3220*	3220*	8390*	8390*	8100	4930	5060	3190	3550	2250				1640*	1640*	8.79
-1.5 m	5680*	5680*	9650*	9060	7920	4780	4950	3100	3510	2210				1960*	1910	8.25
-3.0 m	7920*	7920*	1230*	9340	7930	4810	4970	3120						2550*	2290	7.37
-4.5 m	12550*	12550*	11320*	9600	7600*	4970	4350*	3200						4070*	3170	6.02

* The above loads (kg) are compliant to the ISO standards and refer to the excavator equipped with bucket. The indicated loads are no more than 87% of hydraulic system lift capacity or 75% of static tipping load. Values marked with an asterisk (*) are limited by the hydraulic lifting capacity rather than the tipping load.

www.casece.com
EXPERTS FOR THE REAL WORLD
SINCE 1842

CASE
CONSTRUCTION



Form No. 20122GB - Printed in Italy - MediaCross Firenze - 11/15

Hanlon Case
Highlands
Campton
Bedford
SG17 5NZ

01462 813301
info@hanlon-case.co.uk
www.hanlon-case.co.uk

NOTE: Standard and optional fittings can vary according to the demands and specific regulations of each country. The illustrations may include optional rather than standard fittings - consult your Case dealer. Furthermore, CNH Industrial reserves the right to modify machine specifications without incurring any obligation relating to such changes.

Conforms to directive 2006/42/EC

CASE Customer Assistance
00800-2273-7373

The call is free from a land line.
Check in advance with your Mobile Operator if you will be charged. Toll free number not available from all calling areas.

