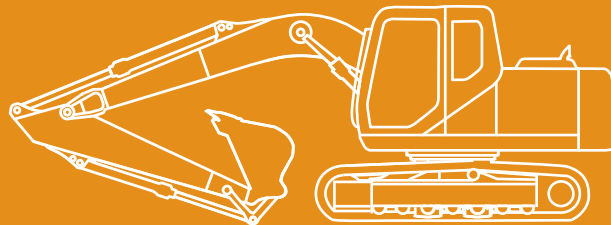


D-SERIES CRAWLER EXCAVATORS SPEC SHEET



ENGINE

Model _____ ISUZU AR-4JJ1X
 Type _____ Water-cooled, 4-cycle diesel, 4-cylinder in line,
 High pressure common rail system (electric control),
 turbocharger with air cooled intercooler, SCR system
 Emissions _____ Tier 4 Final / Eu stage IV
 Number of cylinders/Displacement (l) _____ 4 / 2.99
 Bore and stroke (mm) _____ 95.4 x 104.9

Rated flywheel horse power

ISO 9249 _____ 83.2 kW / 111.6 hp at 2200 min⁻¹
 ISO 14396 _____ 86.0 kW / 115.3 hp at 2200 min⁻¹

Maximum torque

ISO 9249 _____ 349 Nm at 1800 min⁻¹
 ISO 14396 _____ 356 Nm at 1800 min⁻¹

HYDRAULIC SYSTEM

Main pumps _____ 2 variable displacement axial piston pumps
 with regulating system

Max. oil flow (l/min) _____ 2 × 142 at 2200 min⁻¹

Working circuit pressure

Boom/Arm/Bucket (MPa) _____ 34.3
 36.3 with auto power boost

Swing circuit (MPa) _____ 27.9

Travel circuit (MPa) _____ 34.3

Pilot pump _____ 1 gear pump

Max. oil flow (l/min) _____ 22

Working circuit pressure (MPa) _____ 3.9

Boom Cylinders

Bore (mm) _____ 115

Stroke (mm) _____ 1179

Arm Cylinders

Bore (mm) _____ 125

Stroke (mm) _____ 1280

Bucket Cylinders

Bore (mm) _____ 105

Stroke (mm) _____ 985

SWING

Swing Motor _____ Fixed displacement axial piston motor

Maximum swing speed (min⁻¹) _____ 11.5

Swing torque (Nm) _____ 45100

FILTERS

Suction filter (µm) _____ 105

Return filter (µm) _____ 6

Pilot line filter (µm) _____ 8

ELECTRICAL SYSTEM

Voltage (V) _____ 24

Alternator (Amp) _____ 50

Starter (V/kW) _____ 24/4.0

Battery _____ 2 X 12 V - 72 Ah/5HR

UNDERCARRIAGE

Travel motor _____ Variable displacement axial piston motor

Travel speeds

High (km/h - automatic travel speed shifting) _____ 5.4

Low (km/h) _____ 2.8

Drawbar pull (kN) _____ 160

Number of carrier rollers (each side) _____ 2

Number of track rollers (each side) _____ 7

Number of shoes (each side) _____ 44

CIRCUIT AND COMPONENT CAPACITIES

Fuel tank (l) _____ 300

Hydraulic system (l) _____ 167

Hydraulic tank (l) _____ 82

Adblue tank (l) _____ 85

WEIGHT AND GROUND PRESSURE

(with 2.62 m arm , 0.62 m³ bucket , 600 mm grouser shoe, operator, lubricant, coolant, full fuel tank and top guard OPG level 2)

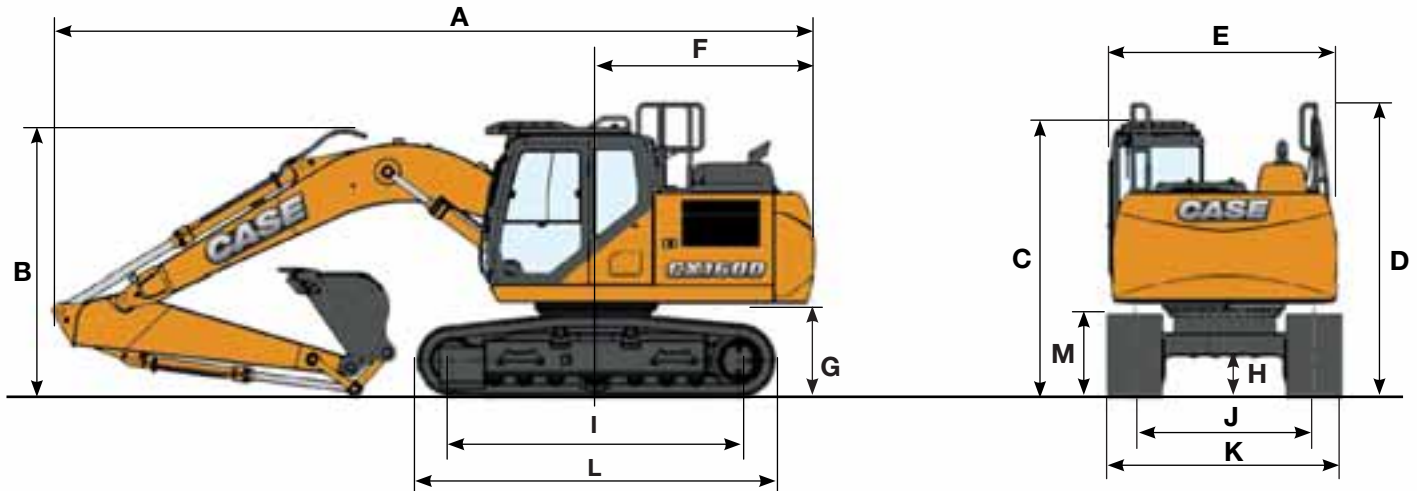
CX160D

Weight _____ 17400 kg

Ground Pressure _____ 0.041 MPa

Counterweight _____ 2920 kg

SPECIFICATIONS



GENERAL DIMENSIONS

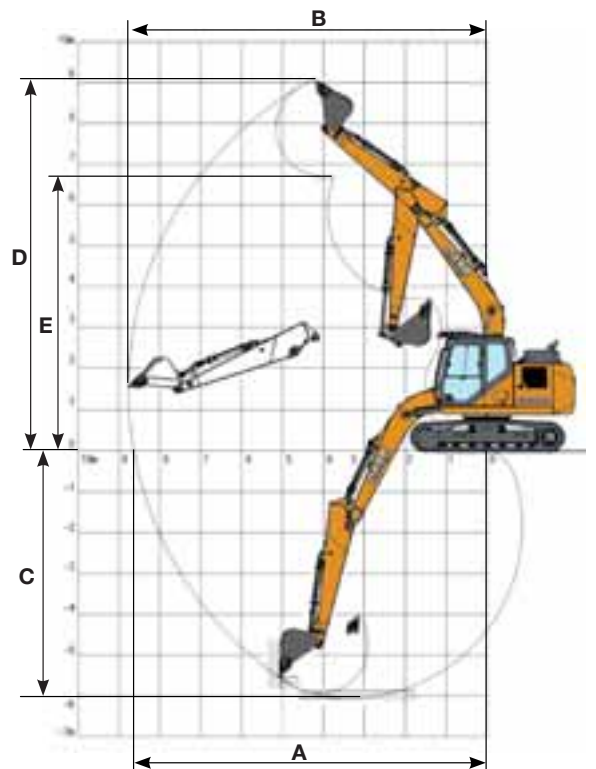
		Arm 2.62 m	Arm 3.05 m	Arm 2.23 m
Overall length (without attachment)	mm	4430	4430	4430
A Overall length (with attachment)	mm	8460	8520	8490
B Overall height (to top of boom)	mm	2960	3130	3000
C Cab height	mm	3050	3050	3050
D Overall height (to top of handrail)	mm	3260	3260	3260
E Upper structure overall width	mm	2530	2530	2530
F Swing (rear end) radius	mm	2470	2470	2470
G Clearance height under upper structure	mm	1020	1020	1020
H Minimum ground clearance	mm	420	420	420
I Wheel base (Center to center of wheels)	mm	3190	3190	3190
L Crawler overall length	mm	3990	3990	3990
M Crawler tracks height	mm	920	920	920
J Track gauge	mm	1990	1990	1990
K Undercarriage overall width (with 600 mm shoes)	mm	2590	2590	2590

PERFORMANCE DATA

		Arm 2.62 m	Arm 3.05 m	Arm 2.23 m
Boom length	mm	5150	5150	5150
Bucket radius	mm	1350	1350	1350
Bucket wrist action	°	178	178	178
A Maximum reach at GRP	mm	8870	9220	8490
B Maximum reach	mm	9040	9380	8670
C Max. digging depth	mm	6060	6490	5660
D Max. digging height	mm	9240	9290	9010
E Max. dumping height	mm	6610	6690	6380

DIGGING FORCE (ISO 6015)

		Arm 2.62 m	Arm 3.05 m	Arm 2.33 m
Arm digging force	kN	79	72	90
with Auto power boost	kN	84	77	95
Bucket digging force	kN	112	112	112
with Auto power boost	kN	118	118	118



LIFTING CAPACITY

CX160D

		REACH														
		1.5 m		3.0 m		4.5 m		6.0 m		7.5 m		9.0 m		At max reach		m
Front	Side															

LC UNDERCARRIAGE - 2.62 m length, 600 mm shoes, bucket of 0.62 m³ HD (480 kg). Maximum reach 9.04 m

7.5 m								2600*	2600*					1610*	1610*	6.52
6.0 m								3240*	3230	2020*	2020*			1460*	1460*	7.68
4.5 m								4240*	3110	3200*	2080			1420*	1420*	8.35
3.0 m			8520*	8520*	6160*	4660	4690	2920	3230	1990				1450*	1450*	8.68
1.5 m			8890*	7870	7190	4270	4480	2740	3120	1890				1540*	1440	8.7
0 m			7510*	7290	6860	3990	4320	2590	3040	1820				1710*	1490	8.44
-1.5 m	6050*	6050*	9650*	7450	6740	3900	4250	2530	3020	1800				2030*	1670	7.88
-3.0 m	8570*	8570*	12860*	7590	6790	3960	4300	2580						2680*	2050	6.96
-4.5 m	12530*	12530*	10480*	7880	6890	4180								4410*	3000	5.52

LC UNDERCARRIAGE - 2.23 m length, 600 mm shoes, bucket of 0.62 m³ HD (480 kg). Maximum reach 8.67 m

7.5 m														2130*	2130*	5.98
6.0 m								3780*	3190					1940*	1940*	7.25
4.5 m					4990*	4860*	4600*	3080	3300	2060				1890*	1820	7.97
3.0 m			9440*	8740	6660*	4590	4670	2900	3220	1990				1930*	1630	8.31
1.5 m			6440*	6440*	7130	4230	4470	2730	3130	1900				2050*	1580	8.33
0 m			7150*	7150*	6850	3990	4330	2600	3060	1840				2270*	1640	8.06
-1.5 m	6780*	6780*	10130*	7560	6790	3950	4290	2570						2700*	1860	7.47
-3.0 m	9510*	9510*	12370*	7720	6870	4040	4380	2670						3620*	2340	6.49
-4.5 m			9490*	7970	6290*	4240								5230*	3620	4.94

LC UNDERCARRIAGE - 3.05 m length, 600 mm shoes, bucket of 0.51 m³ HD (440 kg). Maximum reach 9.38 m

7.5 m								2210*	2210*					1500*	1500*	6.99
6.0 m								3030*	3030*	2360*	2180			1390*	1390*	8.07
4.5 m								3870*	3180	3040*	2120			1360*	1360*	8.71
3.0 m			7500*	7500*	5620*	4770	4630*	2980	3270	2020	1470*	1410		1400*	1400	9.02
1.5 m			11010*	8120	7210	4350	4530	2770	3150	1910	1660*	1370		1500*	1350	9.04
0 m	3230*	3230*	8430*	7420	6900	4020	4340	2600	3050	1820				1670*	1390	8.79
-1.5 m	5700*	5700*	9660*	7360	6720	3870	4230	2510	3000	1780				1980*	1530	8.26
-3.0 m	7920*	7920*	12840*	7470	6730	3900	4250	2530						2580*	1850	7.38
-4.5 m	12580*	12580*	11390*	7720	6890	4070	4330	2620						4060*	2570	6.04

* The above loads (kg) are compliant to the ISO standards and refer to the excavator equipped with bucket. The indicated loads are no more than 87% of hydraulic system lift capacity or 75% of static tipping load. Values marked with an asterisk (*) are limited by the hydraulic lifting capacity rather than the tipping load.

www.casece.com
EXPERTS FOR THE REAL WORLD
SINCE 1842

CASE
CONSTRUCTION



Form No. 20121 GB - Printed in Italy - MediaCross Firenze - 11/15

Hanlon Case
Highlands
Campton
Bedford
SG17 5NZ

01462 813301
info@hanlon-case.co.uk
www.hanlon-case.co.uk

NOTE: Standard and optional fittings can vary according to the demands and specific regulations of each country. The illustrations may include optional rather than standard fittings - consult your Case dealer. Furthermore, CNH Industrial reserves the right to modify machine specifications without incurring any obligation relating to such changes.

Conforms to directive 2006/42/EC

CASE Customer Assistance
00800-2273-7373

The call is free from a land line.
Check in advance with your Mobile Operator if you will be charged. Toll free number not available from all calling areas.

